



MARTIN FLUID POWER

900 E. Whitcomb Ave., Madison Heights, Michigan 48071
Phone: (248) 583-7767 · Fax: (248) 583-1051 · www.mfpseals.com

Quotation #: Q-
Production #:

Date Submitted:
Date Required:
Prepared By:
MFP Territory Manager:

New Engineering Request / Product Development

Customer Information

Distributor Name:
Distributor Contact:
End Customer Name:
End Customer Contact:
Phone:
Fax:
Email:
Territory:

Application

Equipment:
Component:
Current Seal:
Customer Part No.:
Improvement Opportunity:
Expected Life:
Max. Leakage:
Max. Allowable Friction/Torque:
Price: Current: Target:
Quantity for Quoting: Initially: Annually:
Sample Request: Quantity: Date Needed:

Movement

Dynamic Surface OD ID FACE
Linear OPERATING MINIMUM MAXIMUM UNIT
Stroke Length: INCH MM
Cycle Rate: /MIN /HR. Hz
Rotary OPERATING MINIMUM MAXIMUM UNIT
RPM: m/s
Rotation Direction: CW CCW Bidirectional
Oscillatory OPERATING MINIMUM MAXIMUM UNIT
Cycle Rate: /MIN /HR. Hz
Motion: DEG. RAD.
Other (Static) Vibration Pressure Effect

Pressure

Unidirectional Pulsating
Bidirectional Spike
OPERATING MINIMUM MAXIMUM UNIT
Pressure: PSI BAR MPA
Temperature: °F °K °C
Vacuum: IN. HG TORR

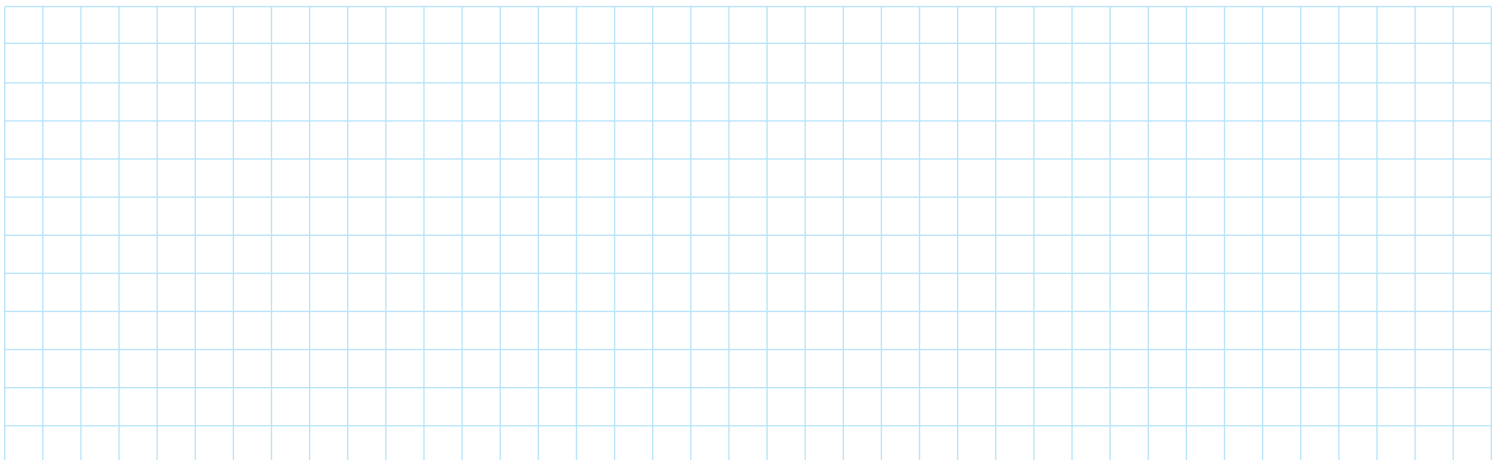
Duty Cycle

Continuous Intermittent
Infrequent Other

Media Sealed

Comments / Sketch

UNITS: Inch Metric

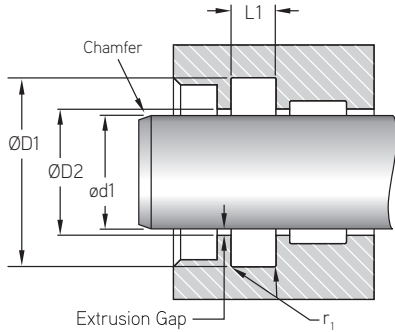


Quotation #: Q-

Production #:

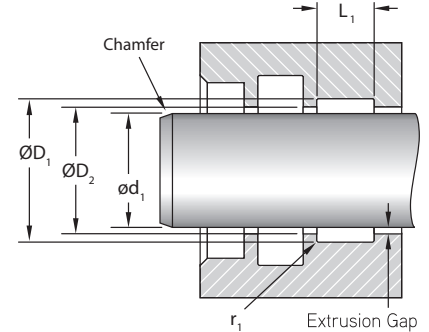
ROD SEALS

ØD1: _____
 ØD2: _____
 ød1: _____
 L1: _____
 Material: _____
 Quantity: _____
 Chamfer: _____
 Finish: _____
 Radius (r₁): _____ Profile: _____
 Hardware: Open Closed Stepped



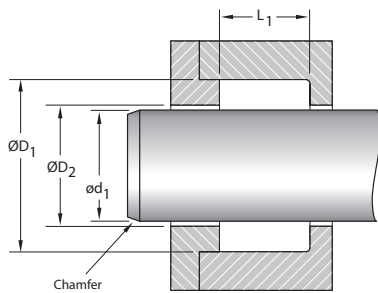
ROD GUIDE RINGS

ØD1: _____
 ØD2: _____
 ød1: _____
 L1: _____
 Material: _____
 Quantity: _____
 Chamfer: _____
 Finish: _____
 Radius (r1): _____ Profile: _____
 Ring Style: Solid Split _____



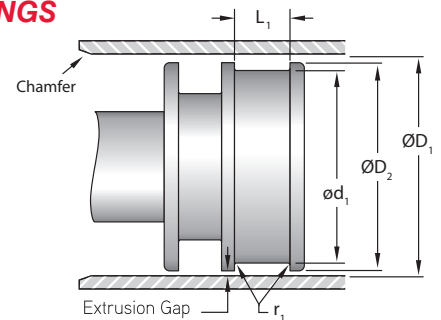
Vee Set

ØD1: _____
 ØD2: _____
 ød1: _____
 L1: _____
 Material: _____
 Quantity: _____
 Chamfer: _____
 Finish: _____
 Configuration: _____
 Radius (r₁): _____ Profile: _____



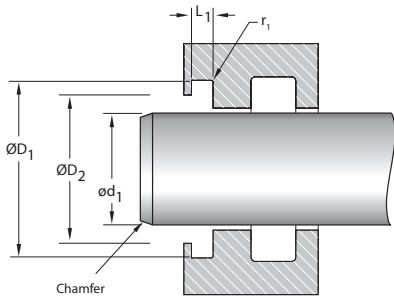
PISTON GUIDE RINGS

ØD1: _____
 ØD2: _____
 ød1: _____
 L1: _____
 Material: _____
 Quantity: _____
 Chamfer: _____
 Finish: _____
 Radius (r₁): _____ Profile: _____
 Guide Ring Type: Solid Split

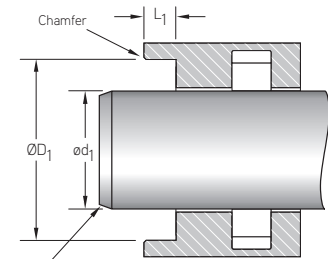


WIPERS

ØD1: _____
 ØD2: _____
 ød1: _____
 L1: _____
 Material: _____
 Quantity: _____
 Rod Chamfer: _____
 Gland Chamfer: _____
 Finish: _____
 Radius (r₁): _____ Profile: _____
 Gland Style: Snap In Press in



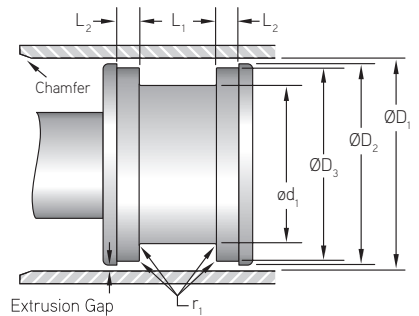
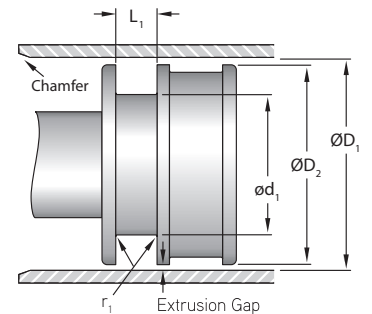
SNAP IN ROD WIPER



PRESSED IN ROD WIPER

PISTON SEALS

ØD1: _____
 ØD2: _____
 ØD3: _____
 ød1: _____
 L1: _____
 L2: _____
 Material: _____
 Quantity: _____
 Chamfer: _____
 Finish: _____
 Radius (r₁): _____ Profile: _____
 Piston Type: One Piece Two Piece



MADISON HGTS, MI
 (248) 585-8170
 Fax: (248) 585-4398
HOUSTON, TX
 (713) 939-9990
 Fax: (713) 939-9797

ST. JOSEPH, MI
 (269) 429-0824
 Fax: (269) 429-0829
PHOENIX, AZ
 (602) 437-3220
 Fax: (602) 437-3424

MFPSEALS[®]
 A DIVISION OF MARTIN FLUID POWER

TAMPA, FL
 (813) 884-6777
 Fax: (813) 884-6999

BOGOTA, COLOMBIA
 mfp.co@mfpseals.com

LINCOLN, ENGLAND
 mfp.uk@mfpseals.com

TAIPEI, TAIWAN
 mfp.tw@mfpseals.com